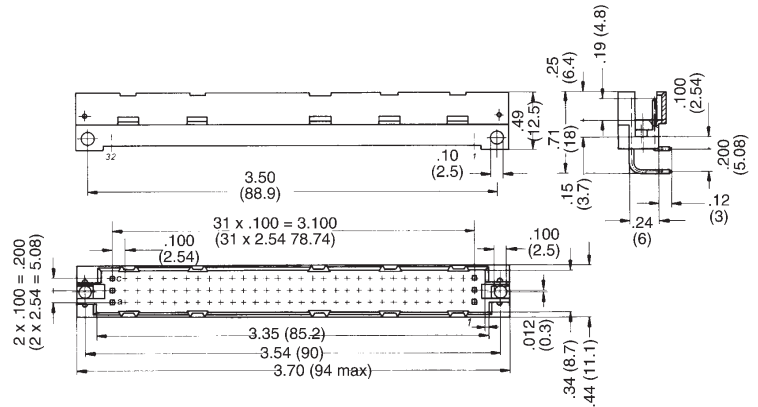
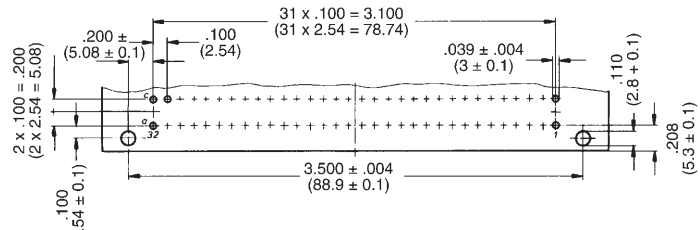


**Type C —  
Series 120**

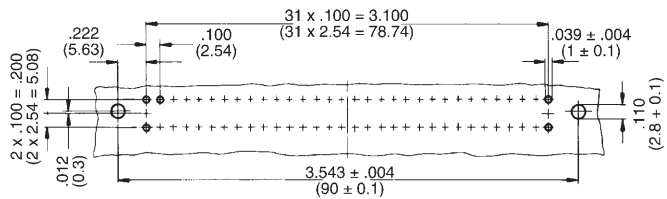
**64 Contact Male Connectors  
— Three Row**



**Printed Circuit Layout / Dip Solder Angled**

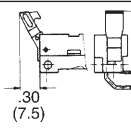
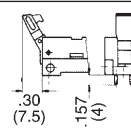
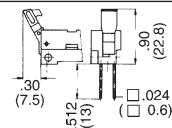


**Printed Circuit Layout / Dip Solder Straight**



Male connectors without locking lever see page #.

**Part Numbers**

No. of Contacts	Performance Level	Style		
				
64	2	Dip Solder Angled	Dip Solder Straight	Wire Wrap
	3	120-964-033A	120-964-133A	120-964-131A
		120-964-053A	120-964-153A	

Without ejector 120-064-... (without Suffix-A)\*

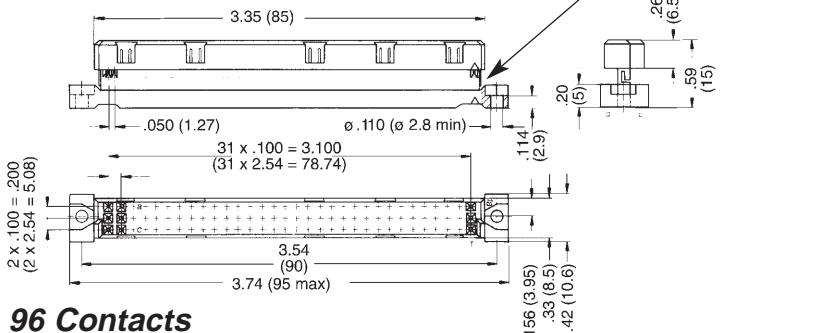
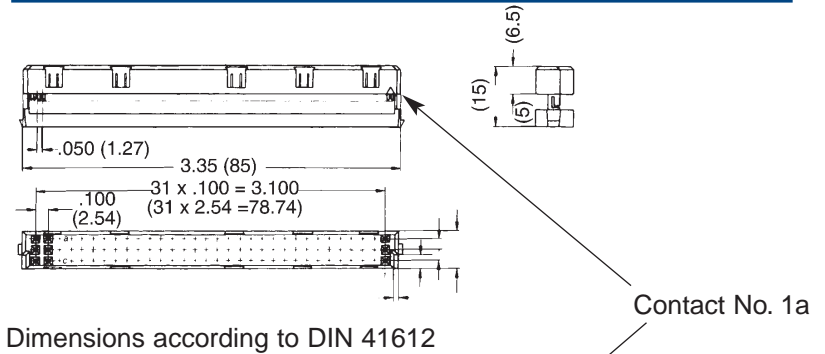
\* Contact Factory For Availability

**Type C —  
Series 120**

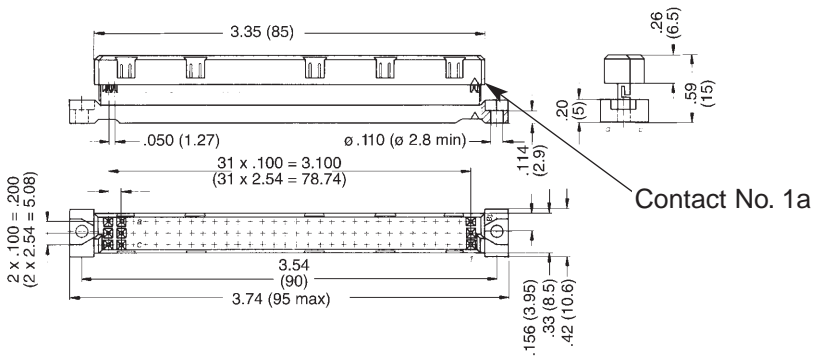
**64 and 96 contact IDC  
female connectors  
- three row**



**64 Contacts**



**96 Contacts**



**Part Numbers**

No. of Contacts	Contact Arrangement	Performance Level	Style	
			Connector	Connector With Mounting Flange
64	Row a + c	2	120-964-435	120-964-435F
96	Fully Equipped	2		120-096-435F**

\*\* 96 Contact Version Uses .033" Pitch Flat Cable.